

G.NA PLANTING SYSTEM

Mission: Promoting urban farming and climate change awareness

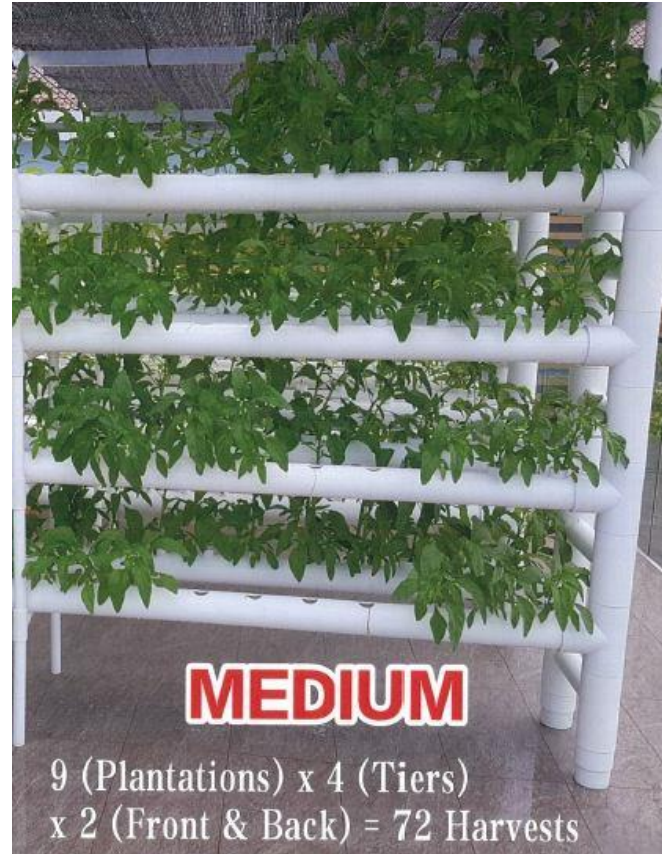
HEALTHY EATING PROPOSAL

- ✓ **Pesticide Free :** Pesticides are not recommended on G.NA system
- ✓ **Hygienic:** Own home hygienic environment is perfect for operating space under open rooftop or balcony.
- ✓ **Peace of mind:** Growing own leafy vegetables give you absolute control of its safety.
- ✓ **Taste:** Natural and original taste
- ✓ **Environment:** Virtually zero wastages and no contamination while running/growing technology.

Benefits of G. NA system

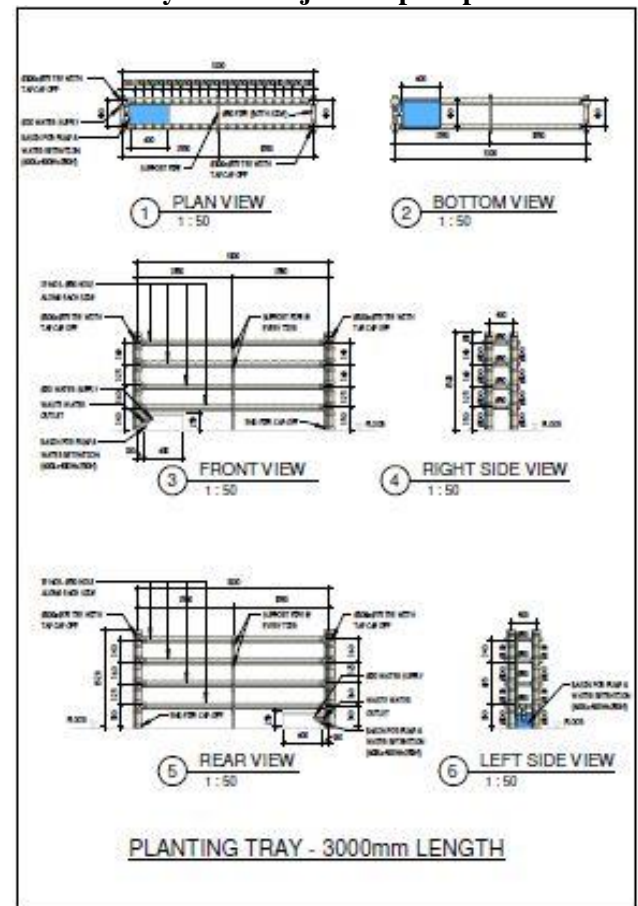
(General Nutrients Ab system)

1. **Consistency:** allows growing sustainability.
2. **Simplicity:** Ease of operation for everyone. Learn the know how within 15 minutes
3. **Varieties:** Growing many kinds of suitable tropical leafy vegetables
4. **Contact Time:** System stability allow users to have less daily supervision of the growing system
5. **Landscaping:** A naturally ornamental and farm garden at home,
6. **Space Utilization:** Minimum space for maximum production.
7. **Anti-mosquitoes breeding:** Provide mosquitoes-free farming environment.
8. **Water saving:** No wastage of water. Water is recycled within the system.



Design Patented DN:3020173635P
(COPYRIGHT, ALL RIGHTS RESERVED)

Customize system: Subject to space plan



Prices of Planting Tray:

- 1) 600mm x 250mm x 160mm OD50 = 10 planting cups of Veggies @ \$ 190.00
- 2) 1,200mm x 500mm x 1,200mm OD50 = 80 planting cups of Veggies @ \$ 1600.00
(With Grower lights 8 sets)
- 3) 1,500mm x 600mm x 1,500mm OD75 = 80 planting cups of Veggies @ \$1,199.00
- 4) 3,000mm x 600mm x 1,500mm OD75 = 152 planting cups of Veggies @\$2,400.00

*complementary with a TDS meters & a set of A and B nutrients 1 liter each with planting cups of Veggies respectively as above items 1,2,3 & 4.

Pre-consultation of site are free, to appreciate whether site are suitable to setting up the systems.

Note: All electrical power points outdoors must be available as IP65 power point (weather proof).

Re-order of plants as per requisition order (locally):

- 1) Per plant with cup : \$ 0.50
- 2) Per A & B nutrients/liter: \$ 18.00
- 3) Per after sale-service maintenance :
 - a. = \$30 delivery service
 - b. = \$120 per replacement of pump.
 - c. = \$120 cleaning service (2 workers)

Contact Us:

Mdm Oh Swee Kit

Email: ohsweekit@oskpl.com.sg

+65 8318 2253 for any enquiries.

Recent New projects:

